



Metal Edge Clip



Metal Edge Clips

The HellermannTyton Metal Edge Clip family includes the Heavy Duty Metal Edge Clip and the Low Profile Metal Edge Clip, providing durable wire management for applications in automotive, electrical, machine building and alternative energy. Made from corrosion-resistant 304 stainless steel, HellermannTyton Edge Clips combine low insertion and high extraction force performance, making them easy to install yet able to stand up to heat, vibration, and long-term exposure to the elements. The large panel insertion pad provides superior ergonomics, helping to eliminate cuts and reduce fatigue for manufacturing technicians and system installers.

Both the Heavy Duty and Low Profile Metal Edge Clip establish a very secure fixing point. However, the Heavy Duty Clip features an additional set of barbs, enabling it to tolerate extremely high stress. Low Profile Metal Edge Clips fit the width and depth of frames typically used in lightweight solar modules, while Heavy Duty Metal Edge Clips accommodate solar panels with a deeper frame.

In addition to the Metal Edge Clips, HellermannTyton also has a wide selection of high performance plastic edge clips that stand up to even the harshest environments. HellermannTyton has the ability to customize these products for your specific preferences and applications to deliver reliable, high quality products that align with your needs.

Applications



Bundling & Securing

Edge Clips

Metal Edge Clips Family

Heavy Duty Metal Edge Clip

HellermannTyton's Heavy Duty Edge Clip provides an excellent alternative to managing wire and PV cables where plastic fasteners are not the preferred method. Designed for effortless insertion, the Heavy Duty Edge Clip has a high extraction force that tolerates extreme environments and provides assurance that the cables are secure on a panel. This Metal Edge Clip is simple to install and can easily be removed with a flathead screwdriver.

Features and Benefits

- Dual shear point barbs present a high extraction force for withstanding extreme conditions.
- Double-compression design that accommodates various sizes of wire and cable – up to 2 cables.
- 1 – 3mm panel thickness range allows for multiple applications.
- Integrated design allows for easy insertion by hand.



MATERIAL	Stainless Steel Type SS304 (SS304)
Operating Temperature	-112 °F to +1000 °F (-80 °C to +538 °C)

PART NO.	Article No.	Type	Panel Thickness		Cable Ø		Length L	Width W	Outside Min. Panel Depth		Inside Min. Panel Depth		Pkg Qty
			Min.	Max.	Min.	Max.			in.	mm	in.	mm	
151-00982	151-00982	MSC2	0.04	0.12	0.20	0.30	0.95	0.50	0.75	0.861	0.861	21.9	100

Use Type for ordering and specification purposes.

Low Profile Metal Edge Clip

Our low profile version is available for more confined areas. HellermannTyton's Metal Edge Clip provides an excellent alternative to managing wire and PV cables where plastic fasteners are not the preferred method.

Features and Benefits

- Single shear point barbs present secure panel retention.
- Double-compression design that accommodates various sizes of wire and cable – up to 2 cables.
- 1.5 – 2mm panel thickness range allows for multiple applications.
- Integrated design allows for easy insertion by hand.



MATERIAL	Stainless Steel Type SS304 (SS304)
Operating Temperature	-112 °F to +1000 °F (-80 °C to +538 °C)

PART NO.	Article No.	Type	Panel Thickness		Cable Ø		Length L	Width W	Outside Min. Panel Depth		Inside Min. Panel Depth		Pkg Qty
			Min.	Max.	Min.	Max.			in.	mm	in.	mm	
151-01699	151-01699	MSC2LP	0.06	0.078	0.161	0.276	0.67	0.375	0.473	0.649	0.649	16.48	100

Use Type for ordering and specification purposes.

Industry Leading Insertion / Extraction Force

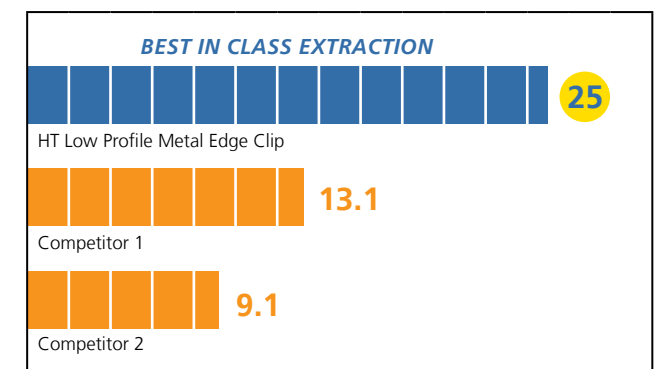
HellermannTyton's Low Profile Metal Edge Clip provides an excellent choice for more confined areas where space is an issue. Designed for effortless insertion, the Low Profile Metal Edge Clip fits the width and depth of frames typically used in light weight solar modules, but has a high extraction force that tolerates extreme environments as well. This provides assurance that the cables are secure on a panel. HellermannTyton's Low Profile Metal Edge Clip can easily be removed with a flathead screwdriver and is also simple to install.

Comparative Data

Low Profile Metal Edge Clip

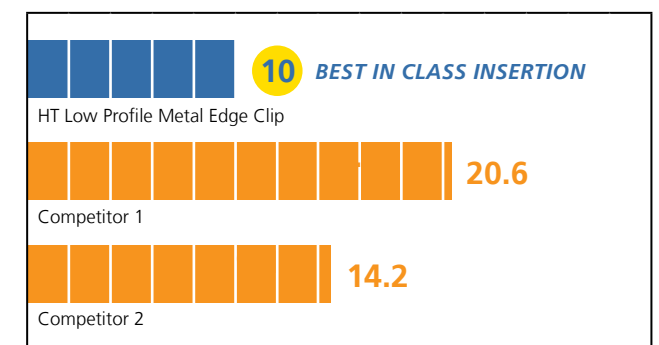
Insertion force should be lower than extraction force. Easy to apply, hard to extract, even in the harshest conditions.

Extraction Force



Pull off force (lbs)

Insertion Force



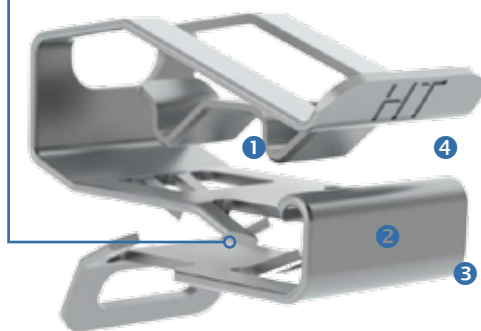
Push on force (lbs)

Metal Edge Clip Features & Benefits

HEAVY DUTY EDGE CLIP

Configuration fits frames from
1 – 3 mm in thickness

Dual shear point barbs offer maximal
retention in extreme conditions



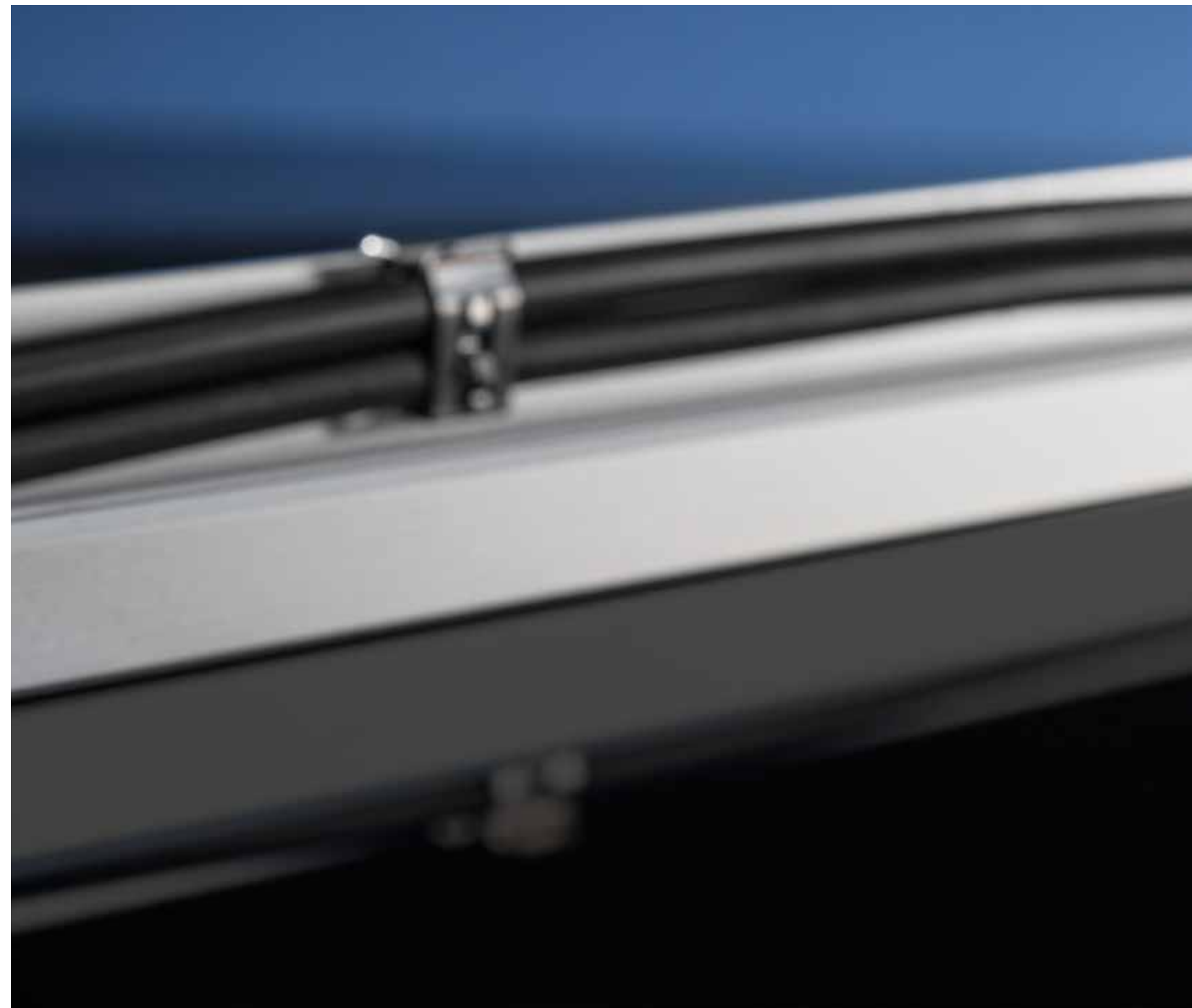
- 1 Compressed leaf spring
securely holds 1 or 2 cables
- 2 Large ergonomic panel insertion
push pad for simple installation
- 3 Coined edges that prevent the clip
from chafing and damaging PV cables
- 4 Large lead-in for quick loading cable

LOW PROFILE METAL EDGE CLIP



Configuration fits frames from
1.5 – 2 mm in thickness

Single shear point barbs provide secure
panel retention



HellermannTyton North American Corporate Headquarters

7930 N. Faulkner Rd, PO Box 245017
Milwaukee, WI 53224-9517
Phone: (414) 355-1130, (800) 537-1512
Fax: (414) 355-7341, (800) 848-9866
email: corp@htamericas.com
www.hellermann.tyton.com

TS16949, ISO 9001, and ISO14001 certified

In addition to its corporate offices, HellermannTyton has three manufacturing facilities in Milwaukee, WI.

HellermannTyton Canada

Unit #4, 205 Industrial Parkway North
Aurora, Ontario L4G 4C4 Canada
Phone: (800) 661-2461
Fax: (800) 390-3904
email: sales@hellermanntyton.ca

HellermannTyton Mexico

Anillo Periferico Sur 7980 Edificio 6A
Parque Industrial Tecnologico II
Santa María Tequepexpan
Tlaquepaque, Jalisco, Mexico 45601
Phone: 011-52-33-3-133-9880
Fax: 011-52-33-3-133-9861
email: info@htamericas.com.mx

ISO 9001 certified