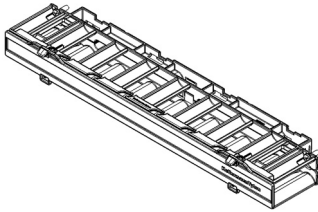
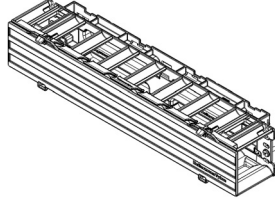


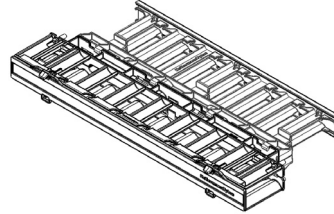
## Installation Instructions for Enhanced Horizontal Wire Managers



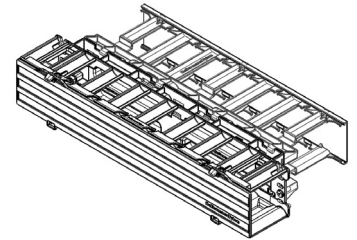
EHWMN1



EHW M1

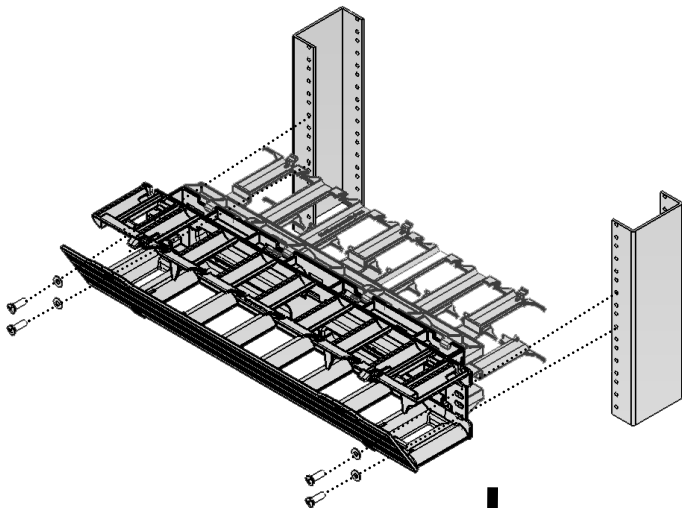


EHWMN2



EHW M2

Install the manager on the rack with the four provided # 12-24 screws and washers.

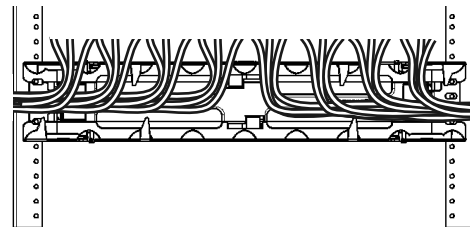


### Fill Capacity Chart

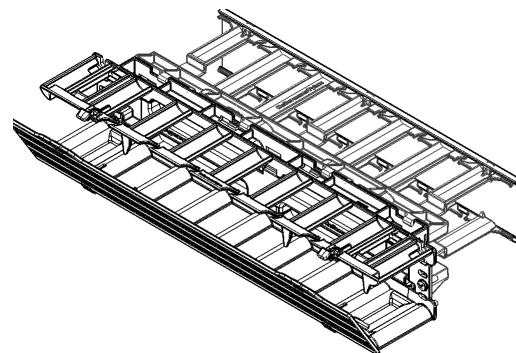
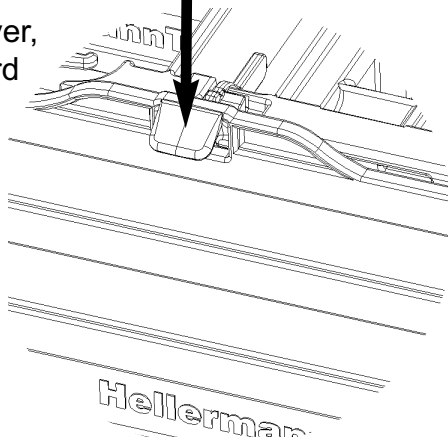
Part Number	UTP cable 0.187" Dia.		CAT 6/ScTP 0.25" Dia.		Fiber 3mm Dia.	
	Front	Back	Front	Back	Front	Back
EHW M1	108		60		276	
EHW M2	108	96	60	48	276	240
EHWMN1	36		18		72	
EHWMN2	36	24	18	12	72	48

Note: Based on 40% fill capacity

Route cables as shown below to maintain proper cable bend radius



To release cover, push downward on latches



HellermannTyton

HellermannTyton

7930 N. Faulkner Road • Milwaukee, WI 53224

Phone: 800-537-1512 • Fax: 800-848-9866

www.hellermann.tyton.com

Specification Website: www.htnetwork.com