

# HellermannTyton

INSMCREC

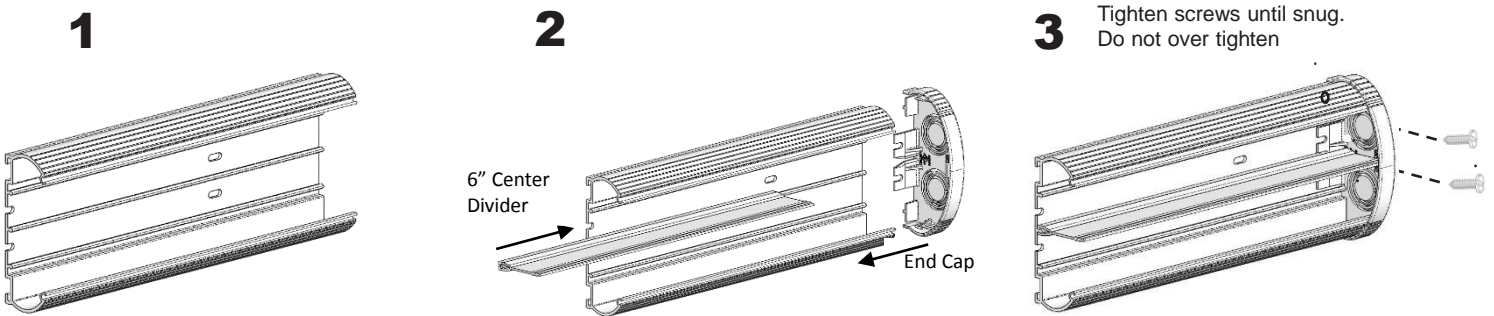
## INSTALLATION INSTRUCTIONS FOR INFOSTREAM™ MULTI-CHANNEL RACEWAY SYSTEM



### END CAP

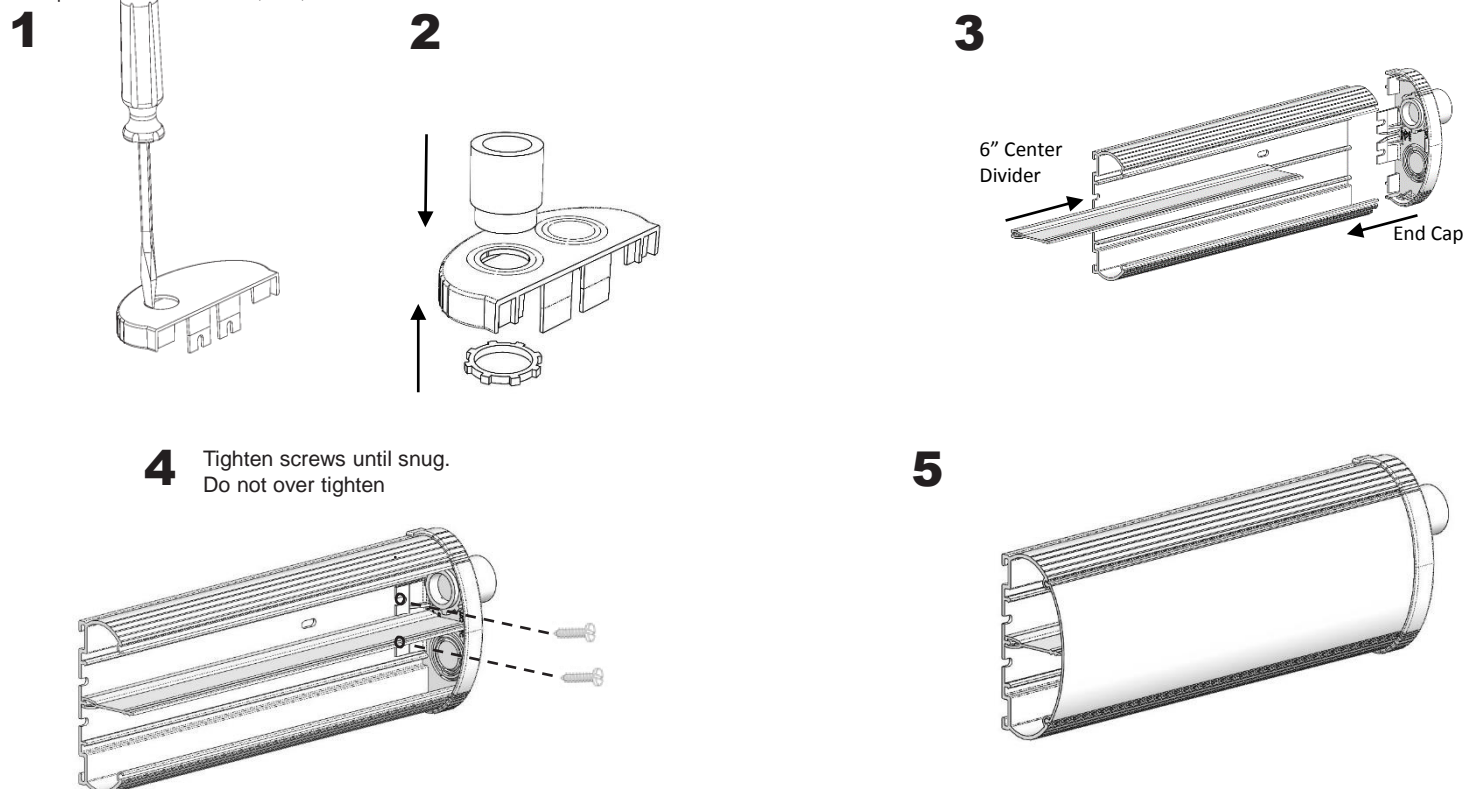
Part Number: MCR\_-EC

Appropriate mounting hardware should be used to secure the raceway to the mounting surface. Recommend use of #8 round or pan-head screws.



### END CAP WHEN USED WITH CONDUIT

End cap has knockouts for 1/2", 3/4", and 1" conduit.



HellermannTyton • 7930 N. Faulkner Rd. Milwaukee, WI 53224  
Phone: (800)537-1512 • Fax: (800)848-9866  
www.hellermann.tyton.com • email: corp@htamericas.com