

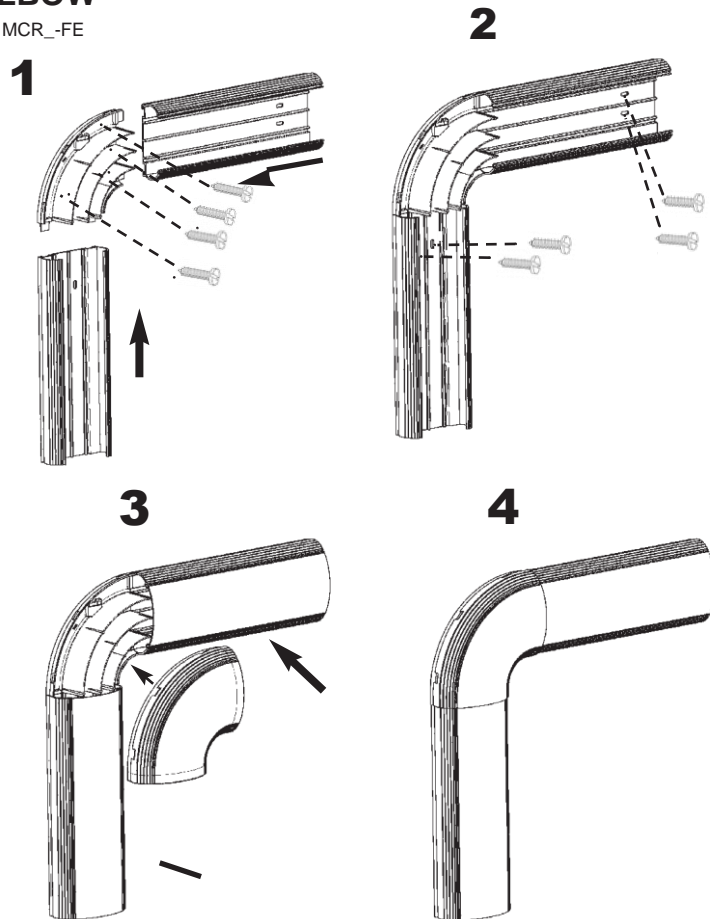
## INSTALLATION INSTRUCTIONS FOR INFOSTREAM™

### MULTI-CHANNEL RACEWAY SYSTEM



#### FLAT ELBOW

Part Number: MCR\_FE



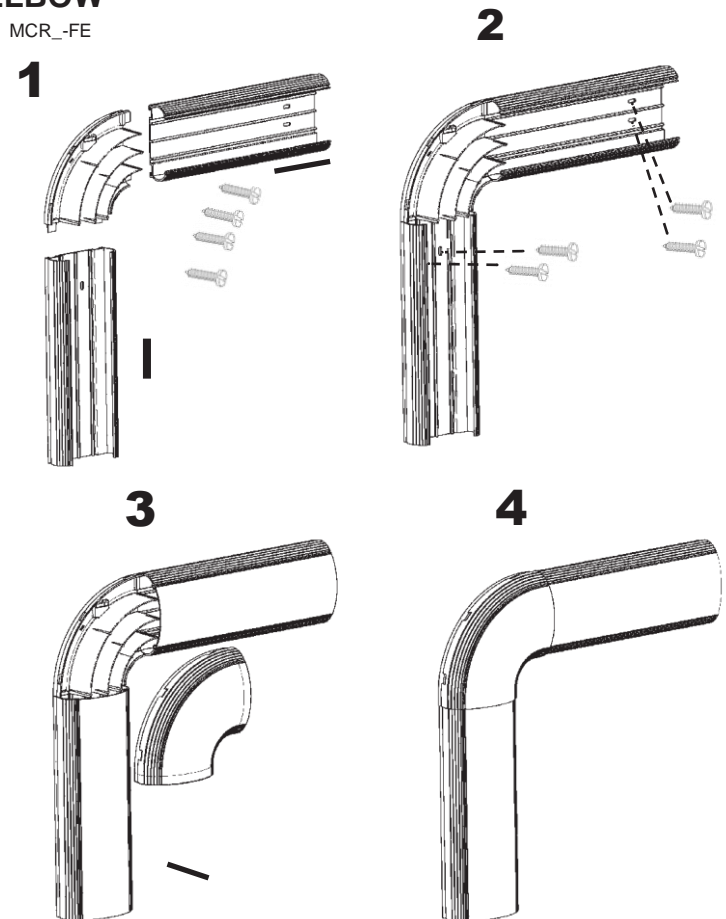
## INSTALLATION INSTRUCTIONS FOR INFOSTREAM™

### MULTI-CHANNEL RACEWAY SYSTEM



#### FLAT ELBOW

Part Number: MCR\_FE



HellermannTyton • 7930 N. Faulkner Rd. Milwaukee, WI 53224  
Phone:(800)537-1512 • Fax:(800)848-9866  
www.hellermann.tyton.com • email:corp@htamericas.com

HellermannTyton • 7930 N. Faulkner Rd. Milwaukee, WI 53224  
Phone:(800)537-1512 • Fax:(800)848-9866  
www.hellermann.tyton.com • email:corp@htamericas.com