

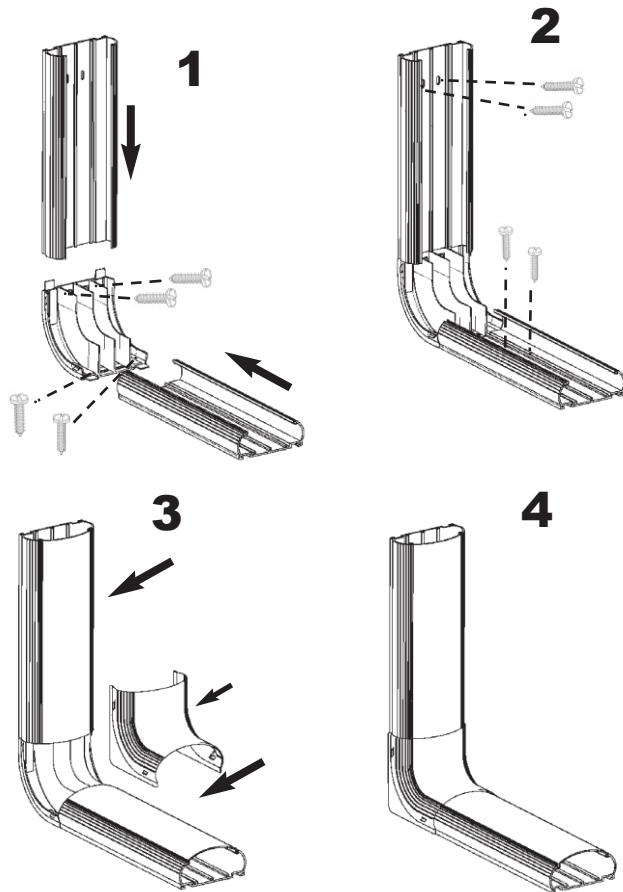
INSTALLATION INSTRUCTIONS FOR INFOSTREAM™

MULTI-CHANNEL RACEWAY SYSTEM

INTERNAL ELBOW

Part Number: MCR_-IE

Appropriate mounting hardware should be used to secure the raceway to the mounting surface. Recommend use of #8 round or pan-head screws.



INSTALLATION INSTRUCTIONS FOR INFOSTREAM™

MULTI-CHANNEL RACEWAY SYSTEM

INTERNAL ELBOW

Part Number: MCR_-IE

Appropriate mounting hardware should be used to secure the raceway to the mounting surface. Recommend use of #8 round or pan-head screws.

