

# HellermannTyton

INSTSRP25-1

## INSTALLATION INSTRUCTIONS FOR 600V RATED SURFACE RACEWAY



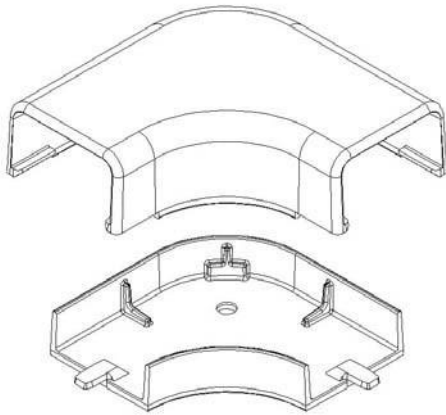
### ELBOW COVER

Part Numbers: TSRP1X-25-1, TSRP2X-25-1, TSRP3X-25-1

Replace "X" in the part number with the following letters for desired color: I (ivory), FW (office white), W (white)

Accessories are rated for power applications up to 600V as required by UL5A specifications.

**1**

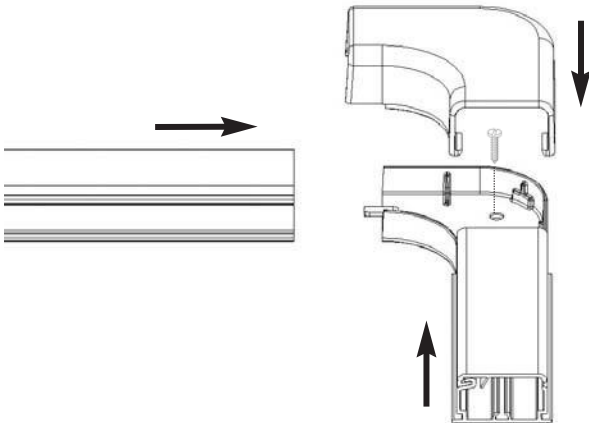


Appropriate mounting hardware should be used to secure the fitting to the mounting surface.

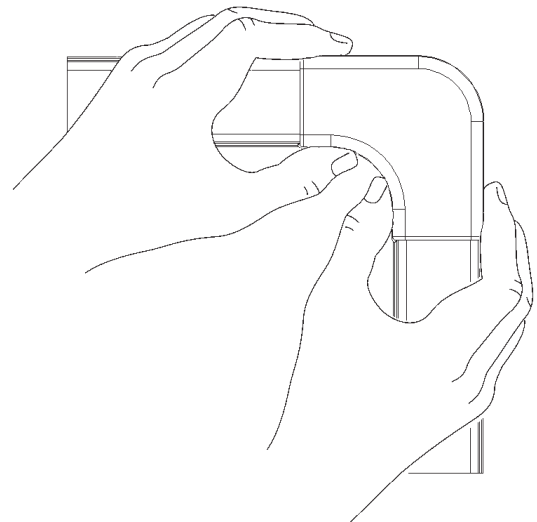
Recommend use of #8 round or pan-head screws.

Raceway	Size	Elbow Fitting
TSRP1	3/4"	TSRP1-25-1
TSRP2	1-1/4"	TSRP2-25-1
TSRP3	1-3/4"	TSRP3-25-1

**2**



**3**



HellermannTyton • 7930 N. Faulkner Rd. Milwaukee, WI 53224  
Phone:(800)537-1512 • Fax:(800)848-9866  
www.hellermann.tyton.com • email:corp@htamericas.com