

# HellermannTyton

INSTSRPJ2

## INSTALLATION INSTRUCTIONS FOR 600V RATED SURFACE RACEWAY

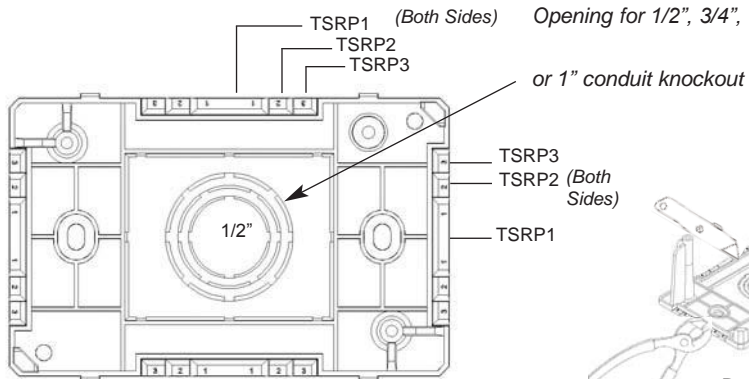


### JUNCTION BOX

Part Numbers: TSRPX-JB1, TSRPX-JB2, TSRPX-JB3, TSRPX-JBD, TSRPX-JBD2

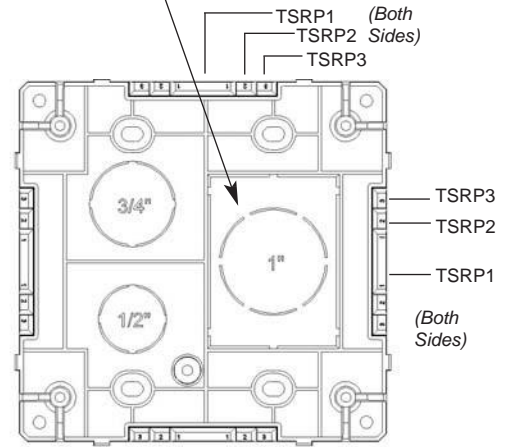
Replace "X" in the part number with the following letters for desired color: I (ivory), FW (office white), W (white)

#### BASE BREAKOUTS



**POWER RATED JB1, JB2, JB3 –  
SINGLE GANG**

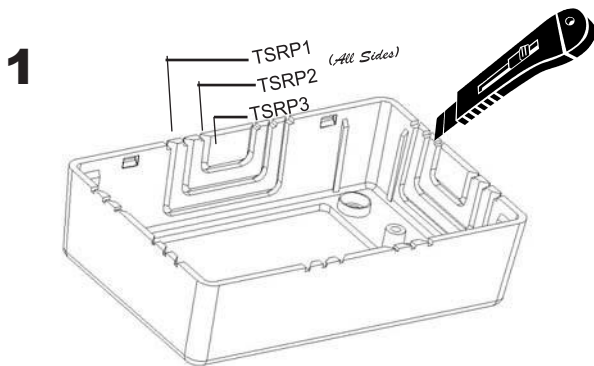
#### Circular Breakout



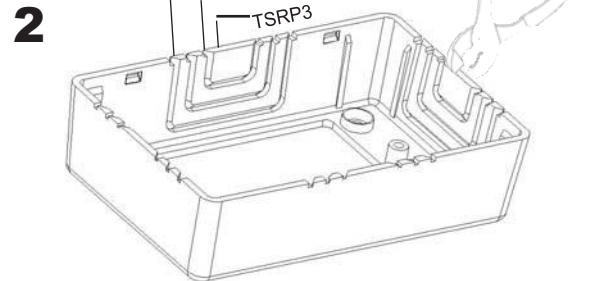
**POWER RATED JBD, JBD2 - DUAL GANG**

Bases supplied with adhesive on bottom for easy application.

#### COVER BREAKOUTS

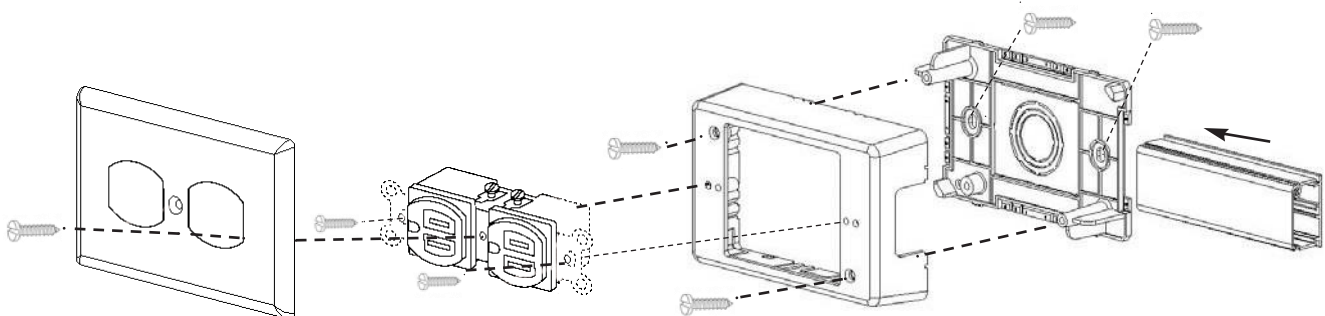


**Power Rated -  
JB1, JB2, JB3,  
JBD & JBD2**



**Power Rated -  
JB1, JB2, JB3,  
JBD & JBD2**

#### TYPICAL ASSEMBLY



\* Faceplate Sold Separately

\* Electrical Outlet Sold Separately

Screws for base to cover included

#6 round or pan-head screws for base to wall not included

HellermannTyton • 7930 N. Faulkner Rd. Milwaukee, WI 53224  
Phone:(800)537-1512 • Fax:(800)848-9866  
www.hellermann.tyton.com • email:corp@htamericas.com