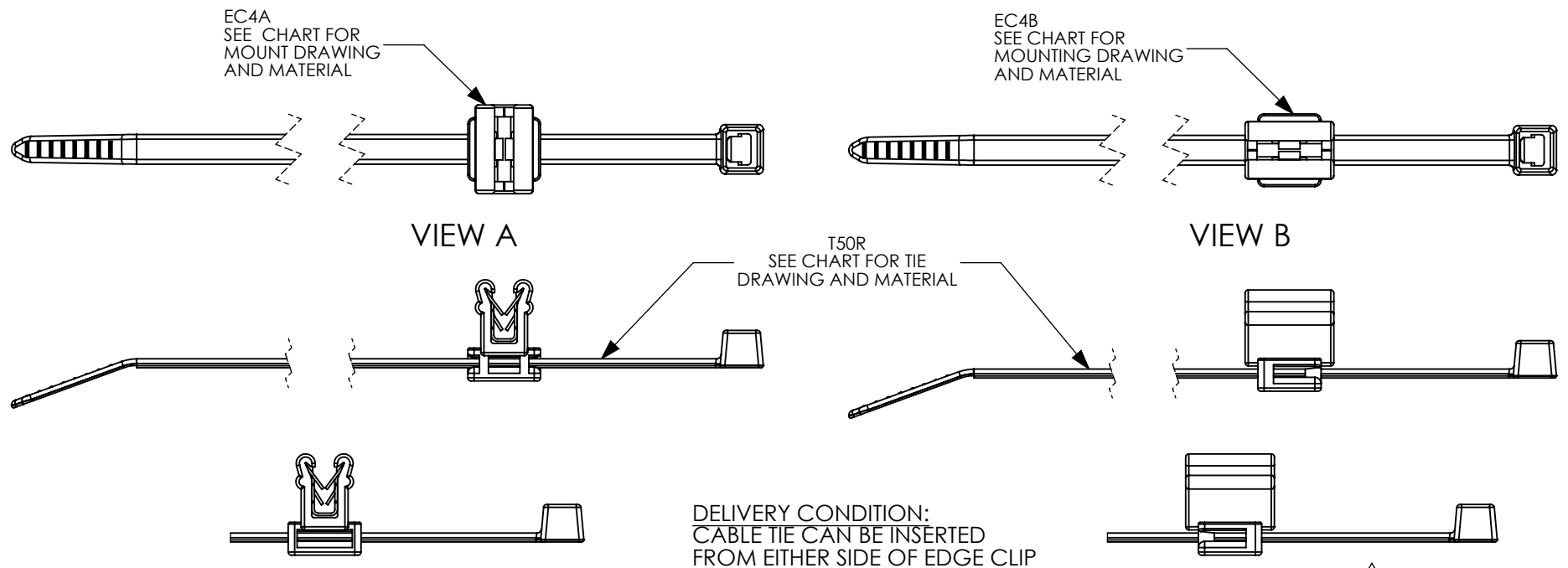


Revision level		Revision Record	Changed	Date	Approved	Date
Part	Drawing					
-	07	See ECN 012757	AAC	07/28/14	KAC	07/28/14



07

TYPE	VIEW	BUNDLE RANGE	CABLE TIES		MOUNT	
			DRAWING	MATERIAL	DRAWING	MATERIAL
T50REC4A	A	5 to 50	CT2050007CST	PA66UV PA66HS	10-0831-002-CSU	PA66HIRHSUV
T50REC4B	B	5 to 50	CT2050007CST	PA66HIRHSUV PA46	10-0831-002-CSU	PA66HIRHSUV
T50REC4B	B	12.7 to 44.5	CT2050007CSTPPP	PP	10-0831-002-CSU	PA66HIRHSUV
T50REC4A	A	12.7 to 44.5	CT2050007CSTPPP	PP	10-0831-002-CSU	PA66HIRHSUV

**SEE CHART**

Material

Dimension tolerances unless otherwise specified

.xxxx = ±.013  
.xxx = ±.13  
.xx = ±.3  
.x = ±.8  
∠ = ±0.5°

Dimension Units millimeters

PERFORMANCE SPECIFICATION

SW 2011

ALL PROPRIETARY RIGHTS IN THE SUBJECT MATTER SHOWN ON THIS DRAWING ARE EXCLUSIVE PROPERTY OF HELLERMANNNTYTON

Drawn AAC 07/07/2008  
Approved KAC 07/28/14

**HellermannTyton®**  
Cable Management Products

7930 N. Faulkner Rd.  
Milwaukee, WI 53224  
Ph: (414) 355-1130  
Fx: (414) 362-8342

Scale 1:1  
Computer File Number CT2050058CST\_07

Title  
**T50REC4  
T50R STANDARD CABLE TIE  
WITH EC4 MOUNT**

Drawing-No  
**CT2050058CST**

Format  
**AH**

Sheet 1 of 1