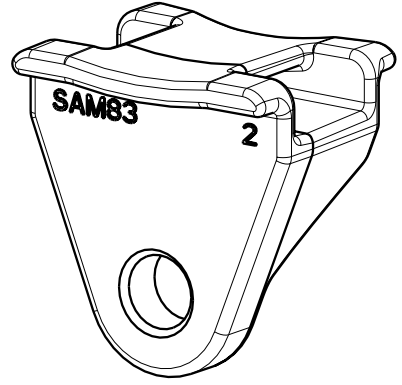
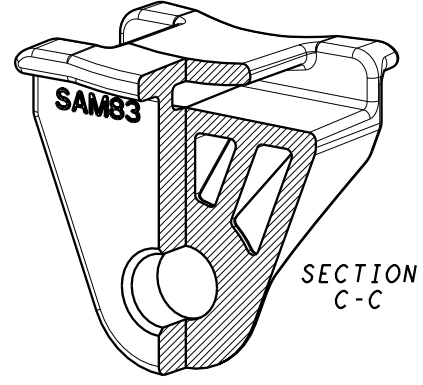
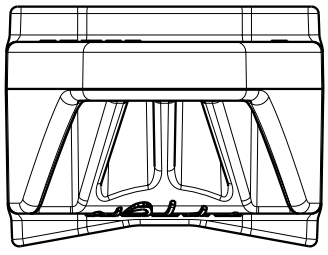
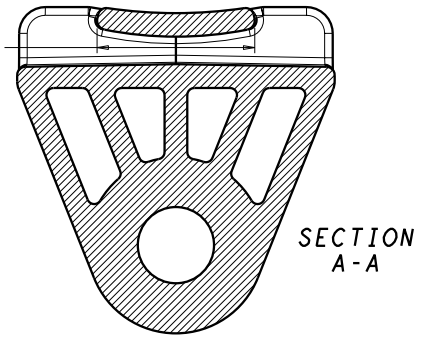
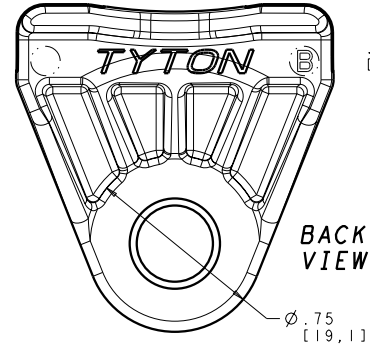
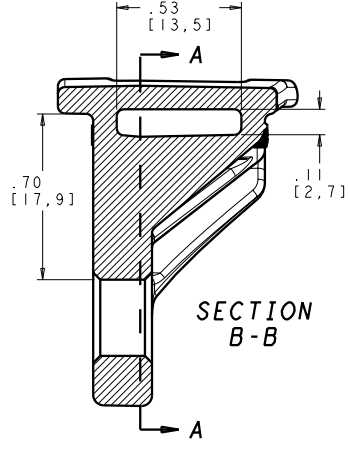
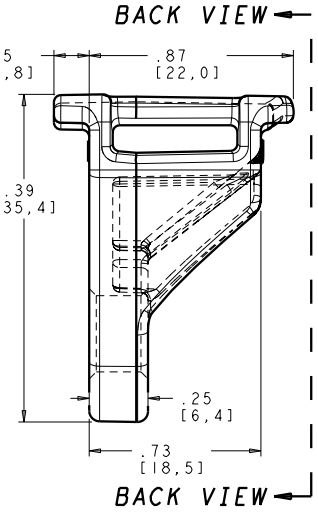
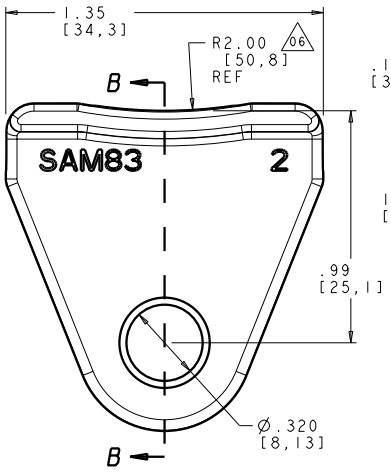
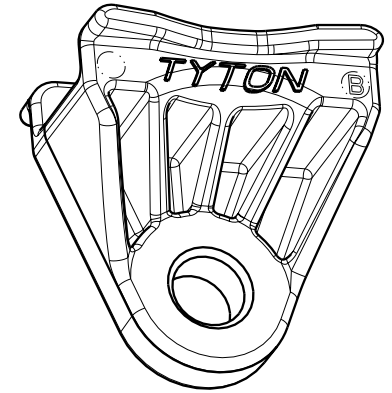


- FEATURES:
- STANDS OFF BUNDLE AWAY FROM BURR EDGE OF FRAME RAIL CROSS MEMBERS
  - BROAD SADDLE SURFACE TO MINIMIZE PINCHING & CRUSHING OF BUNDLES
  - "H" PROFILE ON SADDLE PROVIDES FOR TIGHT CIRCUMFERENTIAL LOOP ON LARGE AND SMALL BUNDLES
  - SADDLE WILL HANDLE BUNDLES RANGING FROM 1/2" TO 5"
  - ACCEPTS MOST STANDARD CABLE TIES UP TO 1/2" WIDE
  - FASTEN MOUNT WITH BOLT, SCREW, RIVET, SPIKE, ETC...
  - MOUNTING HOLE DIAMETER WORKS WITH 8mm & 5/16" BOLTS & STUDS
  - WITHSTANDS 115 in-lb OF TORQUE APPLIED TO FASTENER
  - RUGGED HEAVY DUTY DESIGN & MATERIAL
  - 250 lb ASSEMBLY STRENGTH PERPENDICULAR TO BOLT AXIS



INVENTORS

**HellermannTyton®**

ALL PROPRIETARY RIGHTS IN THE SUBJECT MATTER SHOWN ON THIS DRAWING ARE EXCLUSIVE PROPERTY OF HELLERMANN TYTON

name	date	city, state
GERRY GEIGER	2/2/01	JACKSON WI

REVISION	D level	06
	A by	G G G
	W date	2/1/10
	I date	
	G ECN #	011480
part level	B	

DIMENSIONS	Tolerance	.XXXX= ±0.0050/[.127]
		.XXX= ±0.010 / [.25]
		.XX= ±0.02 / [.5]
		.X= ±0.1 / [2.5]
		∠= ±0.5
		unless otherwise specified units inches/[mm]

PART	number	SAM83	phase	PRODUCTION
	name	SADDLE w/ AXIAL MOUNT for 8MM BOLT - STYLE #3		
	material	PA66HIRSH GRAY PER ASTM D4066 PA0161		

DRAWING	FORMAT AH version J	CAD PRO-E	scale	5/4
	computer file number	previous number		
	drawn	G GEIGER	checked	K CHRISTIAN
	date	2/2/01	checked	2/1/10
	approved			
type	CUSTOMER		sheet	1 of 1
number	MT2023007CST			